

SCSD602AR

Vertical Liquid Soap Dispenser with Silver Valve

Indicative Image



Material

304 Stainless Steel

Finish

Satin with Silver Button

Mounting

Surface Mount Concealed Fix

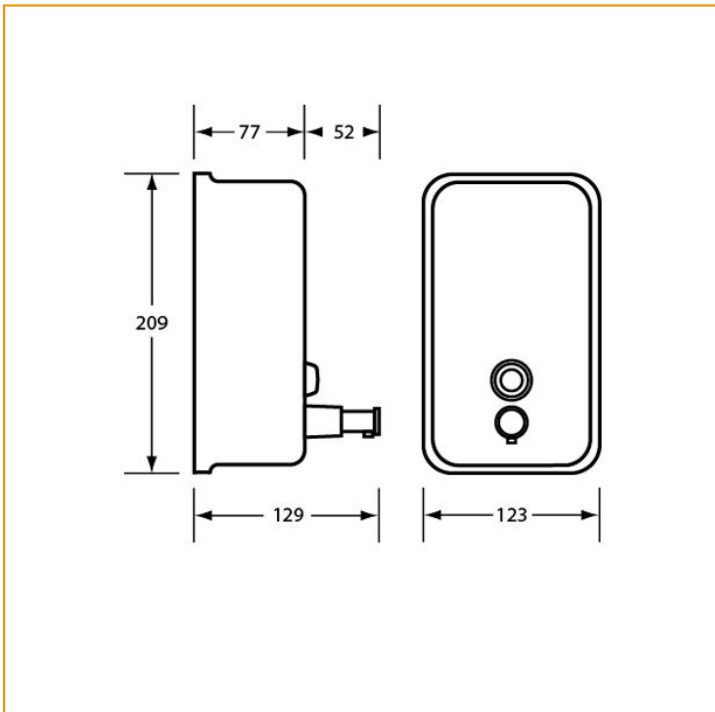
Dimensions

123mmW x 209mmH x 129mmD

Capacity

1.2L

Dimensions



ABN:79623 479881

P.O BOX 458 Somerton VIC 3062

158 Northbourne Road Campbellfield, VIC 3061

(03) 8339 1200 | (03) 8339 1250 | www.surecare.com.au | sales@surecare.com.au