

AL4532H

Anti-Ligature Straight Grab Rail
450mm X 32mm Horizontal

Indicative Image



Material

304 Stainless Steel 32mm x 1.2mm

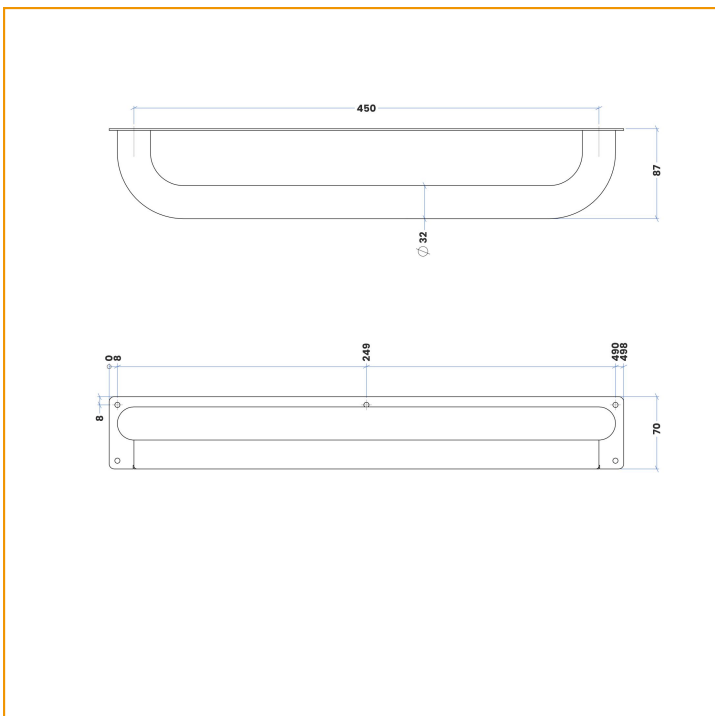
Dimensions

450mm C to C

Compliance

When installed correctly this product is AS1428.1 2009 Compliant

Dimensions



ABN:79623 479881

P.O BOX 458 Somerton VIC 3062

158 Northbourne Road Campbellfield, VIC 3061

(03) 8339 1200 | (03) 8339 1250 | www.surecare.com.au | sales@surecare.com.au