

# SCSD600AS

Horizontal Liquid Soap Dispenser  
with Silver Valve

## Indicative Image



## Material

304 Stainless Steel

## Finish

Satin with Silver Button

## Mounting

Surface Mount Concealed Fix

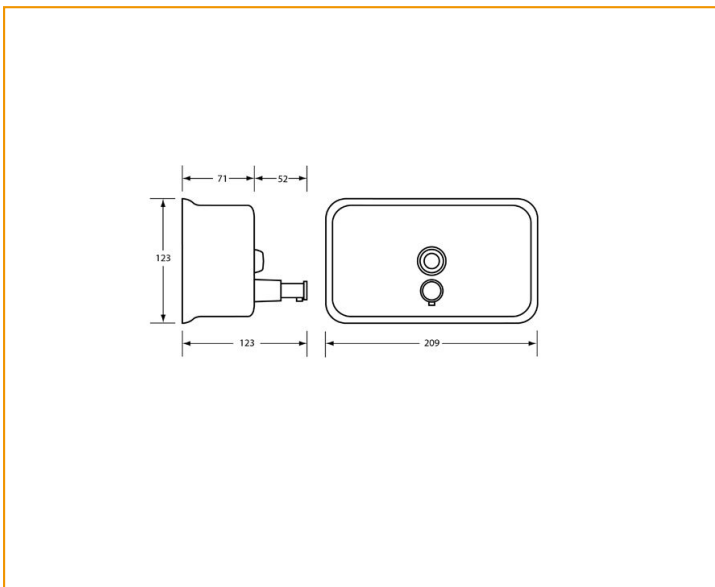
## Dimensions

209mmW x 123mmH x 123mmD

## Capacity

1.2L

## Dimensions



ABN:79623 479881

P.O BOX 458 Somerton VIC 3062

158 Northbourne Road Campbellfield, VIC 3061

(03) 8339 1200 | (03) 8339 1250 | [www.surecare.com.au](http://www.surecare.com.au) | [sales@surecare.com.au](mailto:sales@surecare.com.au)